



SINKS

SERVING THE FOOD INDUSTRY SINCE 1951

STAINLESS STEEL LAUNDRY SINK

ITEM: 44593

**RELIABLE LAUNDRY SINK FOR
LAUNDROMAT, GARAGE OR
RESTAURANTS**

Made of 16-gauge, 304 stainless steel for easy cleaning and durability. Comes with faucet and drain basket.



**LIMITED
WARRANTY**



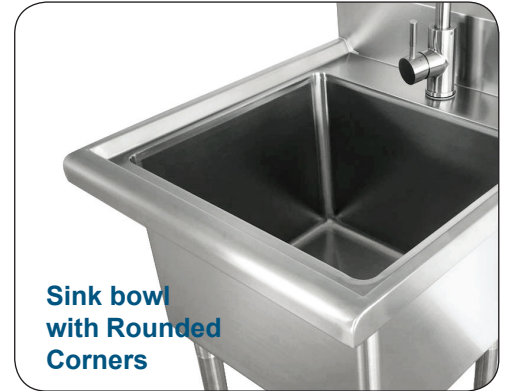
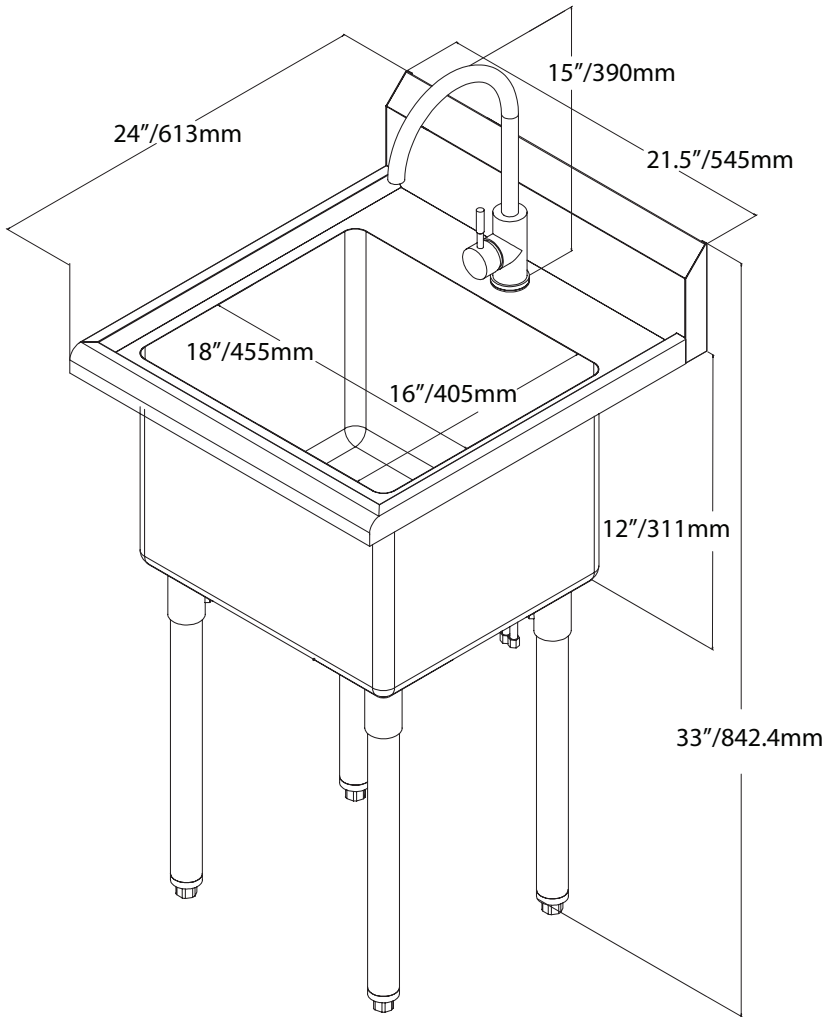
Authorized Dealer

SINKS

STAINLESS STEEL LAUNDRY SINK



FEATURES:



TECHNICAL SPECIFICATIONS

Item	44593
Bowl Dimensions (WDH)	18" x 16" x 12" / 455 x 405 x 311 mm
Dimensions (DWH)	21" x 24" x 33" / 533 x 609.6 x 838 mm
Net Weight	35.7 lbs./ 16.2 kg
Gross Weight	45 lbs. / 20.4 kg



LIMITED WARRANTY

OMCAN INC.

Telephone: 1-800-465-0234
 Fax: (905) 607-0234
 Email: sales@omcan.com
 Website: www.omcan.com



60

Follow us to keep up to date with the latest news and offers



2015.E.O.E